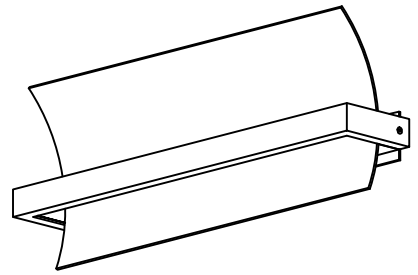
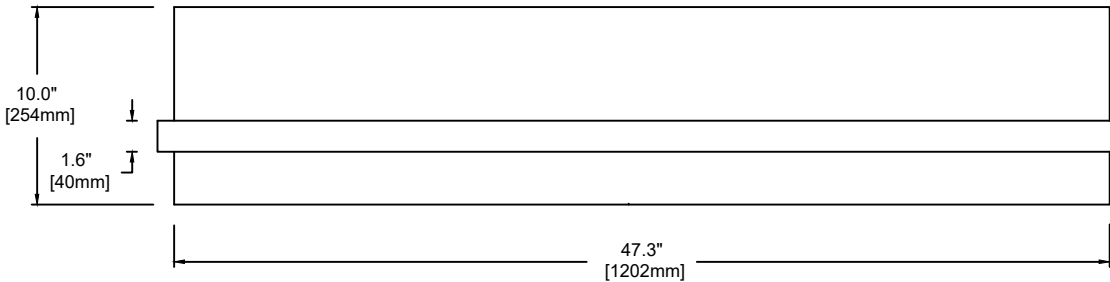
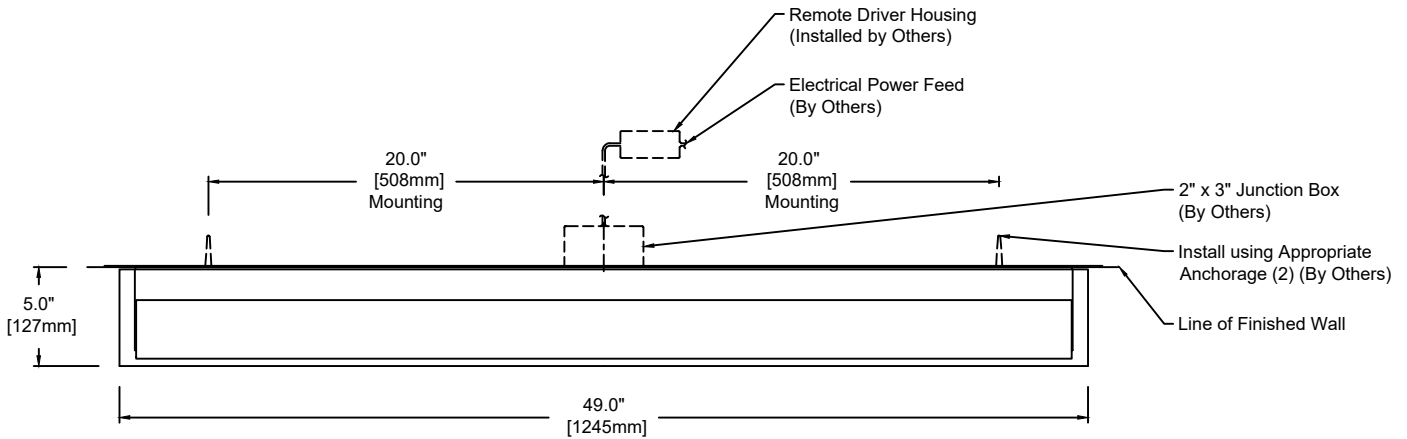
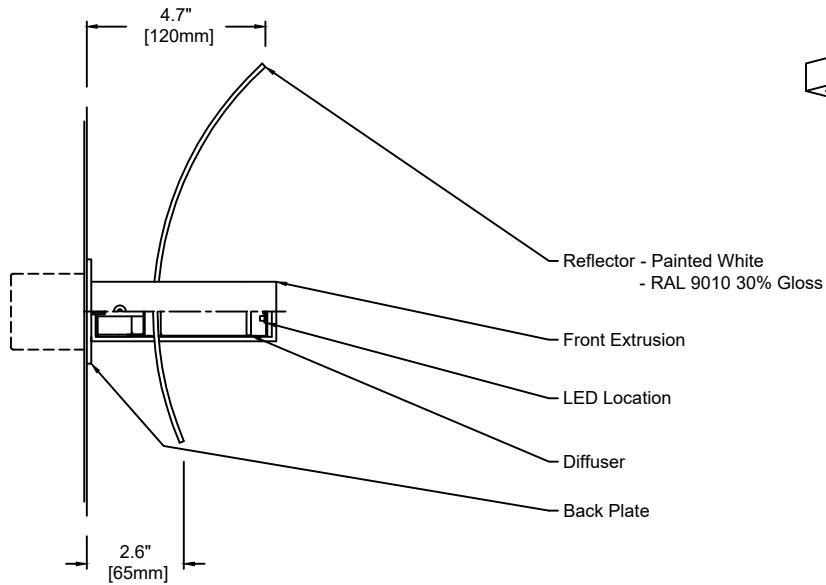


Wing

TECHNICAL SHEET



PERSPECTIVE VIEW



1820	W	49	M	830	U	S	SW	19
Model	Type	Size	Wattage	Color Temp	Voltage	Control	Diffuser	Finish
	W - Wall	49"	L M H	827 - 2,700K 830 - 3,000K 835 - 3,500K 840 - 4,000K	1 - 120 VAC only U - 120/277 V	S D010 DFPN L3DAE L3D0E	SW - Satin Opal Acrylic	19 - Painted Anodized Aluminum - RAL 9006 Matte 21 - Painted White - RAL 9010 Matte 22 - Painted Custom Color

Wattage and Control

Control (Remote 24V):
 S - Non-Dim
 D010 - 0-10V 10%
 DFPN - Lutron Forward Phase 1%, 120VAC
 L3DAE - Lutron Hi-Lume 1% EcoSystem
 L3D0E - Lutron Hi-Lume Premier 0.1% EcoSystem

Wattage "L" - 12 Watt
 2,700K - 1,533 lm
 3,000K - 1,533 lm
 3,500K - 1,595 lm
 4,000K - 1,625 lm

Wattage "M" - 23 Watt
 2,700K - 2,848 lm
 3,000K - 2,848 lm
 3,500K - 2,967 lm
 4,000K - 3,025 lm

Wattage "H" - 38 Watt
 2,700K - 4,500 lm
 3,000K - 4,500 lm
 3,500K - 4,684 lm
 4,000K - 4,776 lm

Technical Data:
 Form - linear, Operating voltage: 24VDC
 Color rendering index Ra min: 82 CRI, Available in 90 CRI
 Viewing angle: 110°
 Lifetime - L70: 60,000h
 Working temperature: -20°C to 60°C (-4°F to 140°F)

Remote Drivers:
 Max. wiring distance / Load

	Osram			Lutron	
Wire Gauge	≤48W	≤72W	≤96W	≤40W	≤96W
#18AWG	37'	25'	18'	15'	25'
#16AWG	59'	39'	29'	25'	40'
#14AWG	95'	63'	47'	40'	60'

